

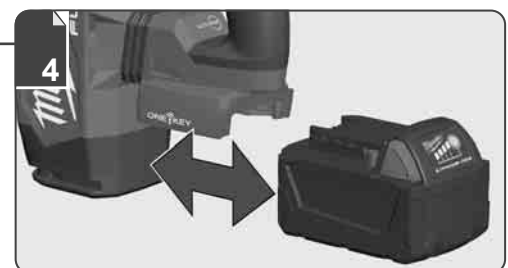
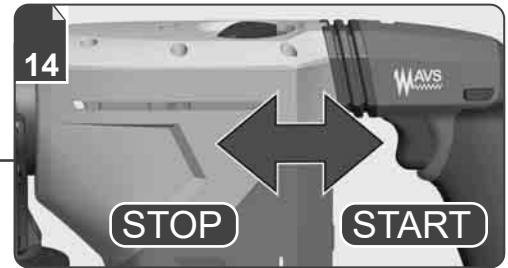
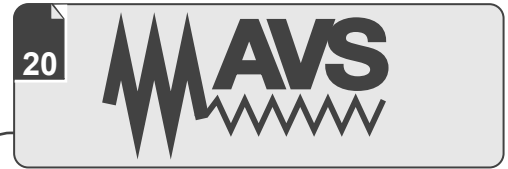
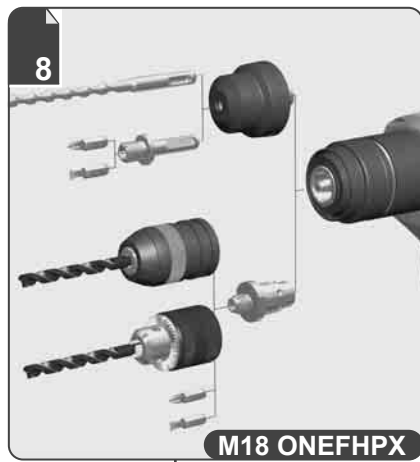
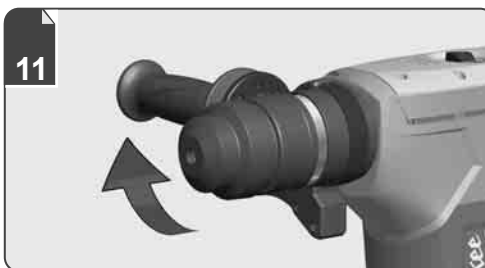
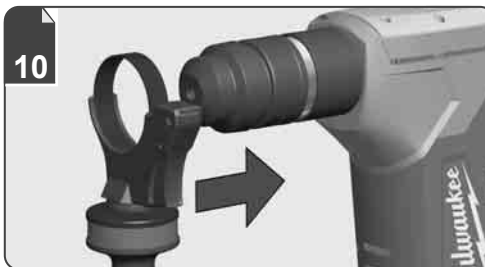
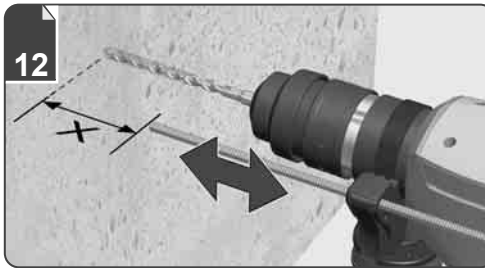
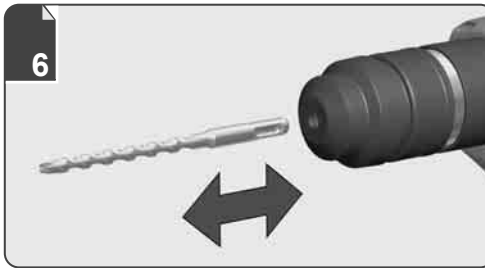
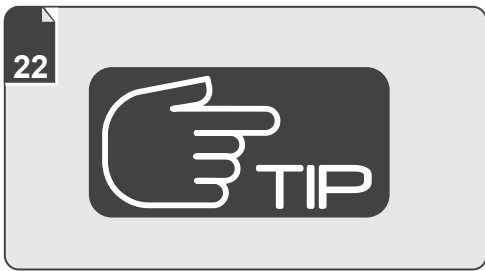


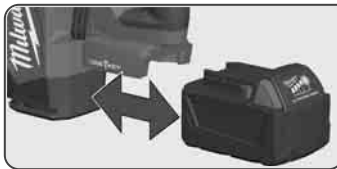
Nothing but **HEAVY DUTY.**[™]




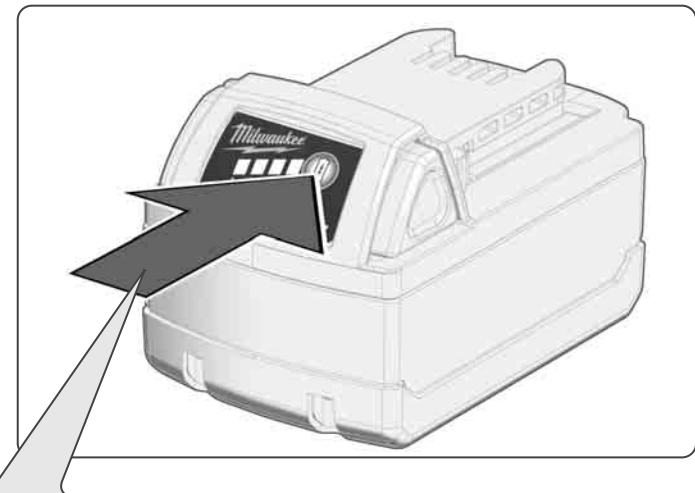
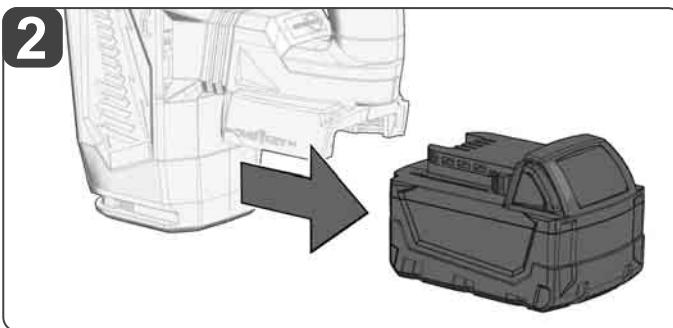
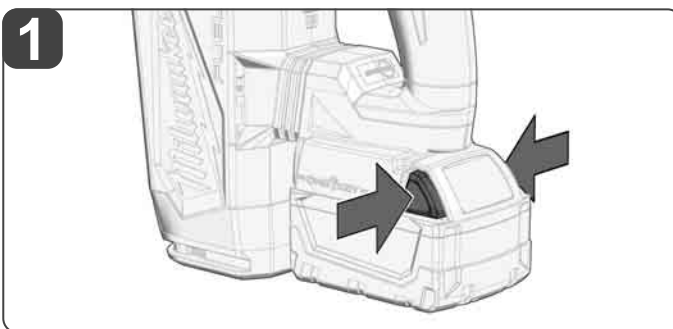
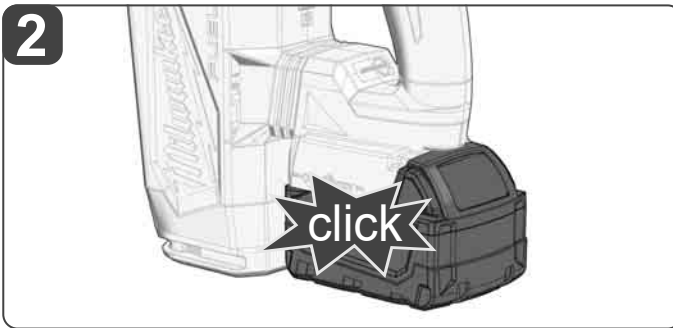
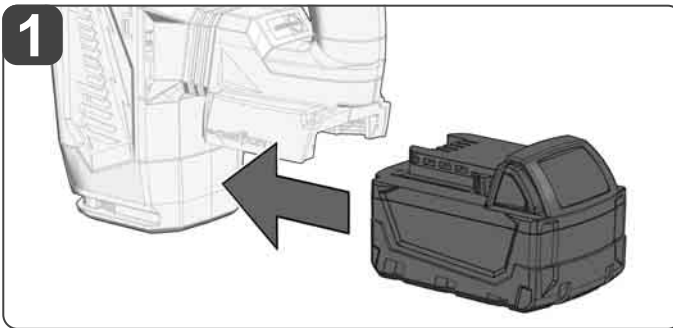
M18 ONEFHP **M18 ONEFHPX**













Original instructions

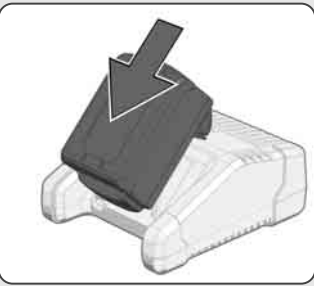


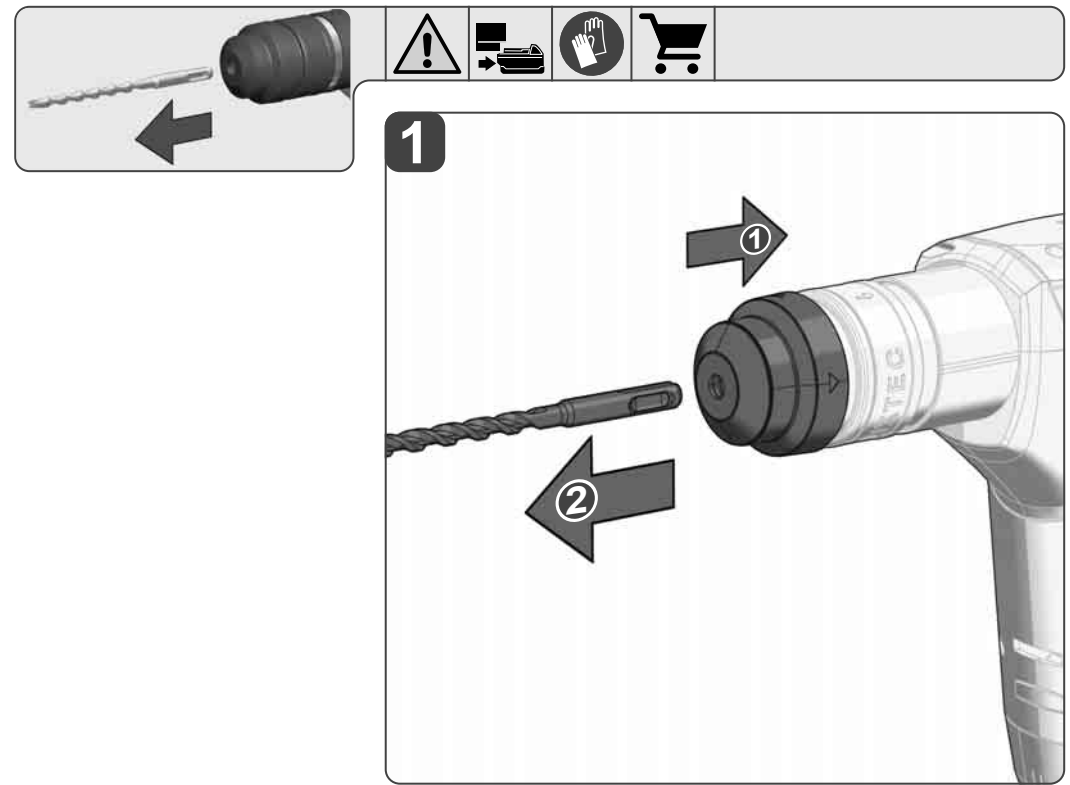
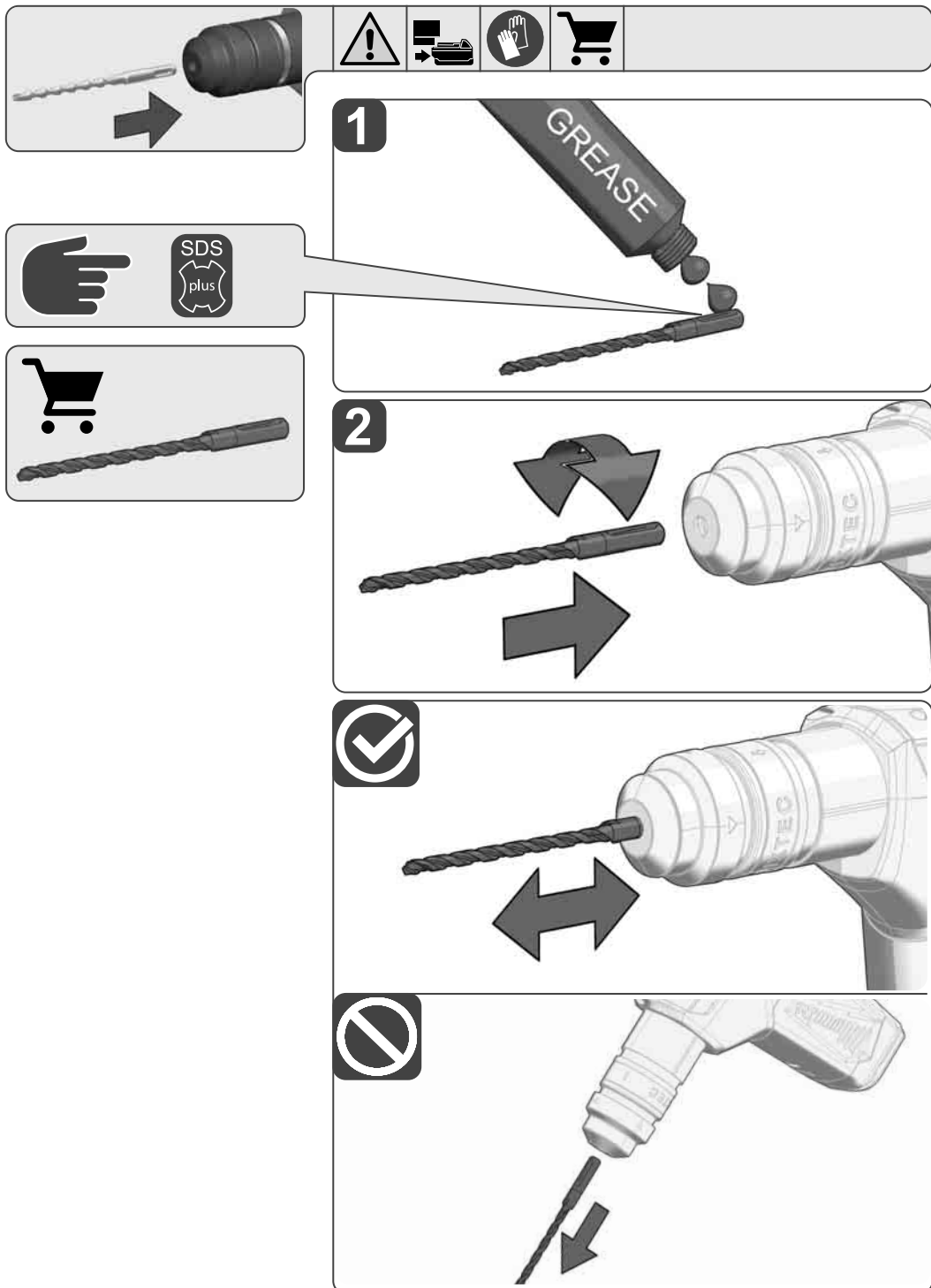


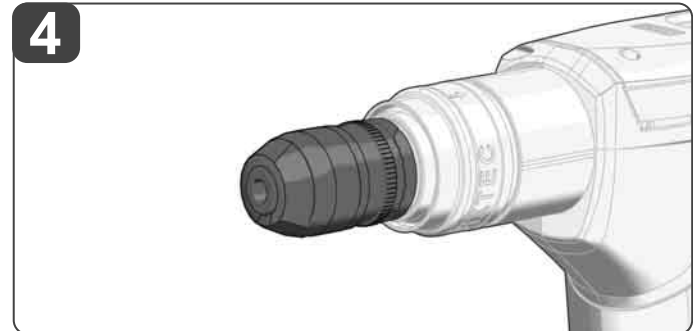
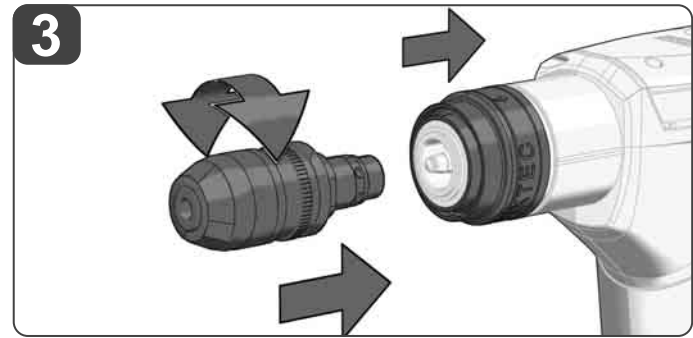
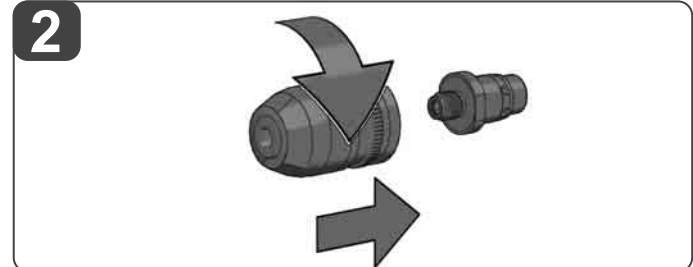
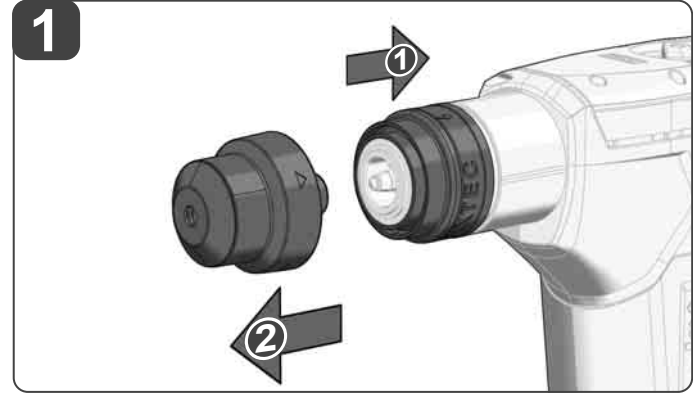
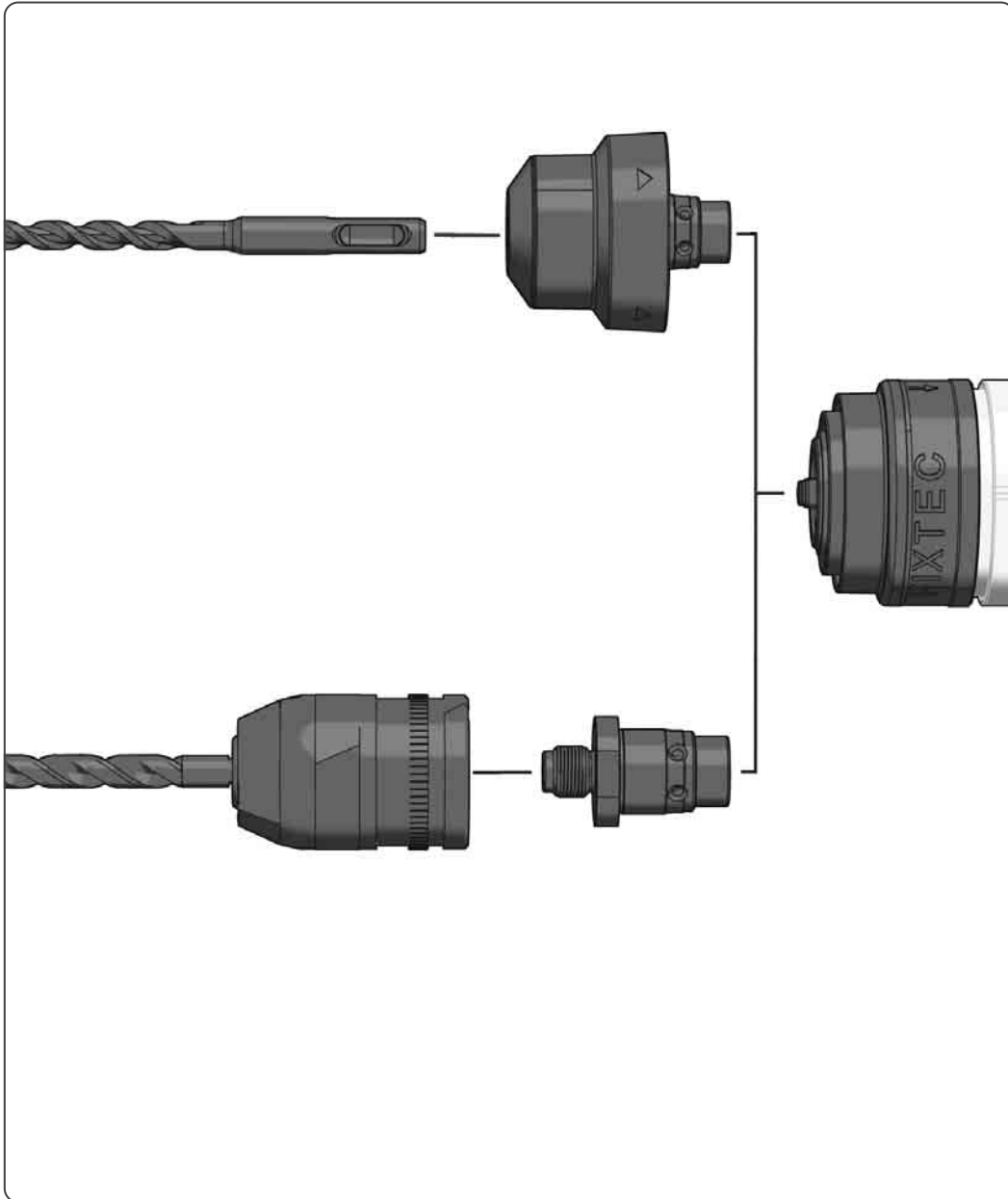
 Remove the battery pack before starting any work on the machine.

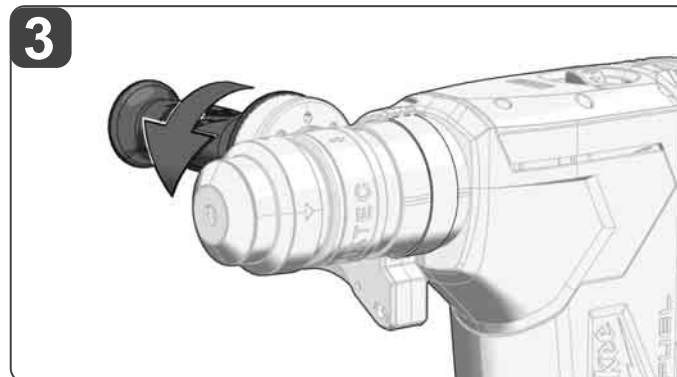
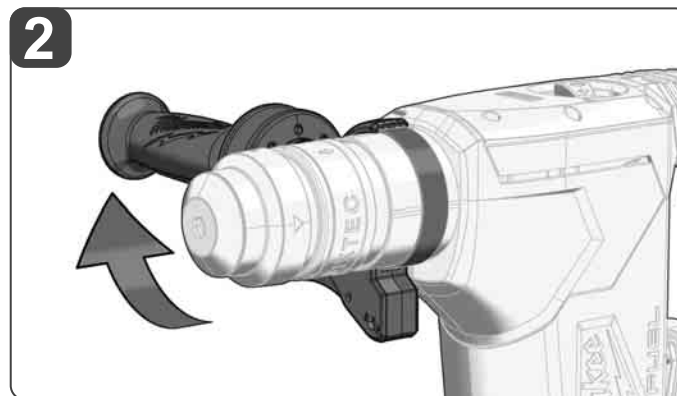
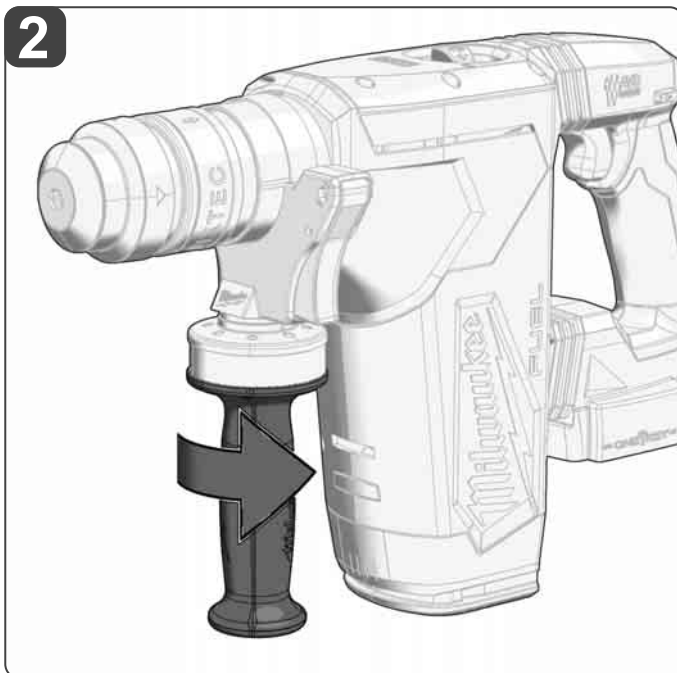
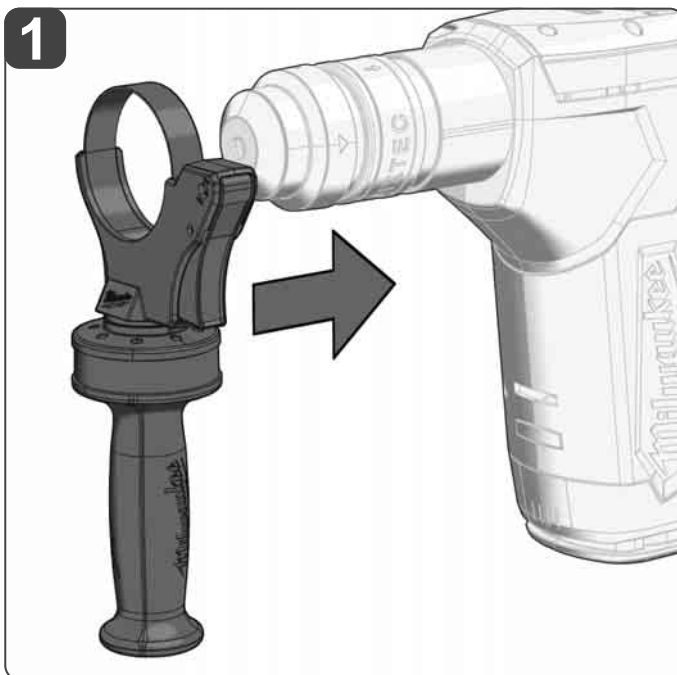


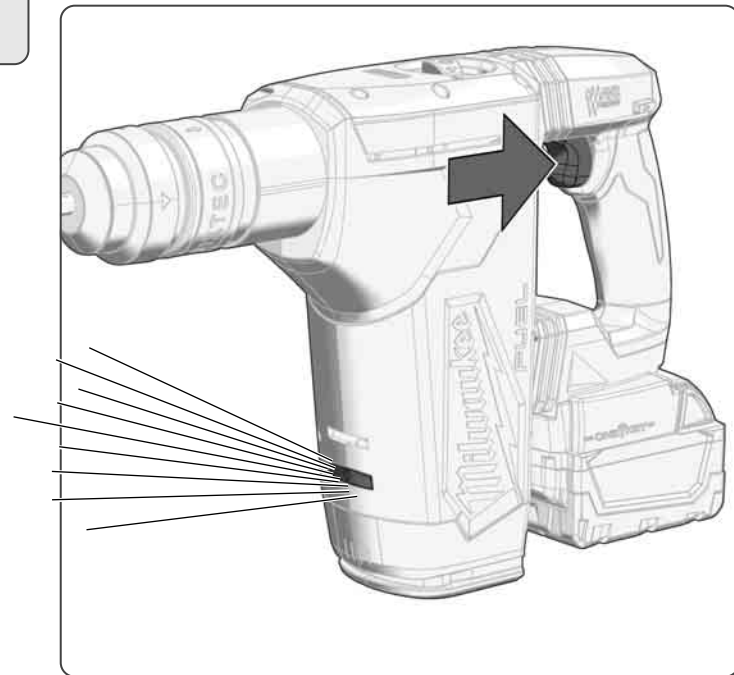
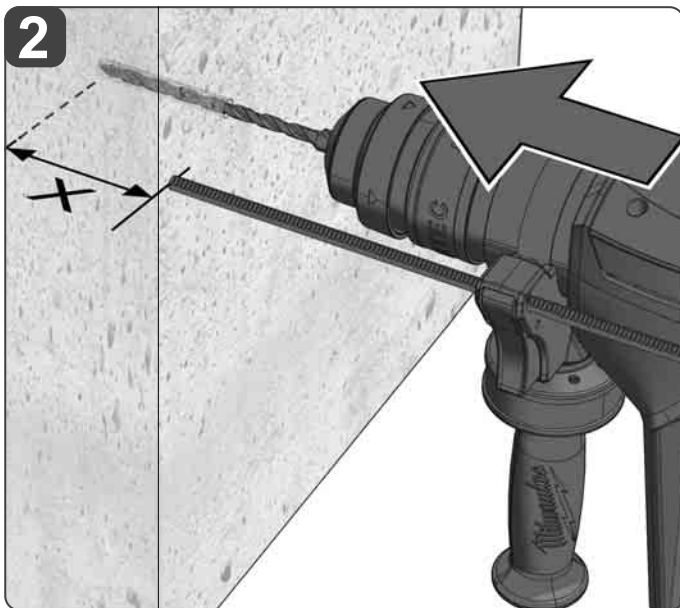
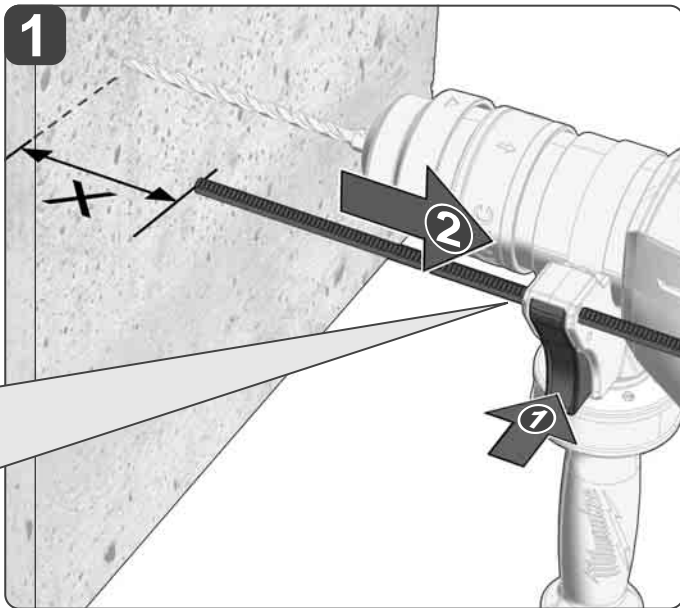
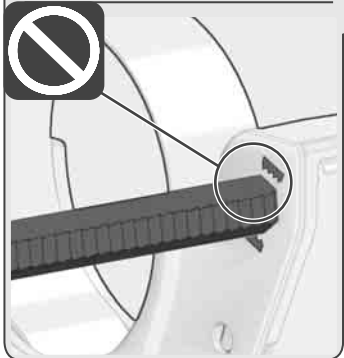
		78-100 %
		55-77 %
		33-54 %
		10-32 %
		< 10 %
		





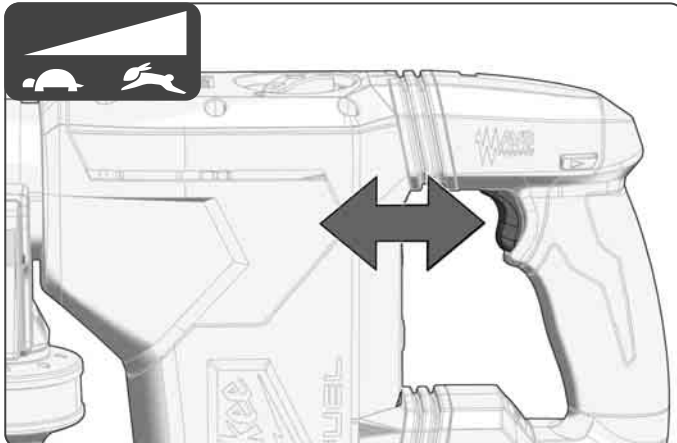
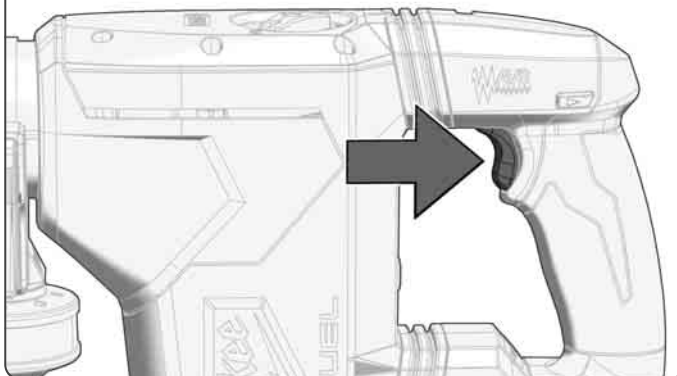




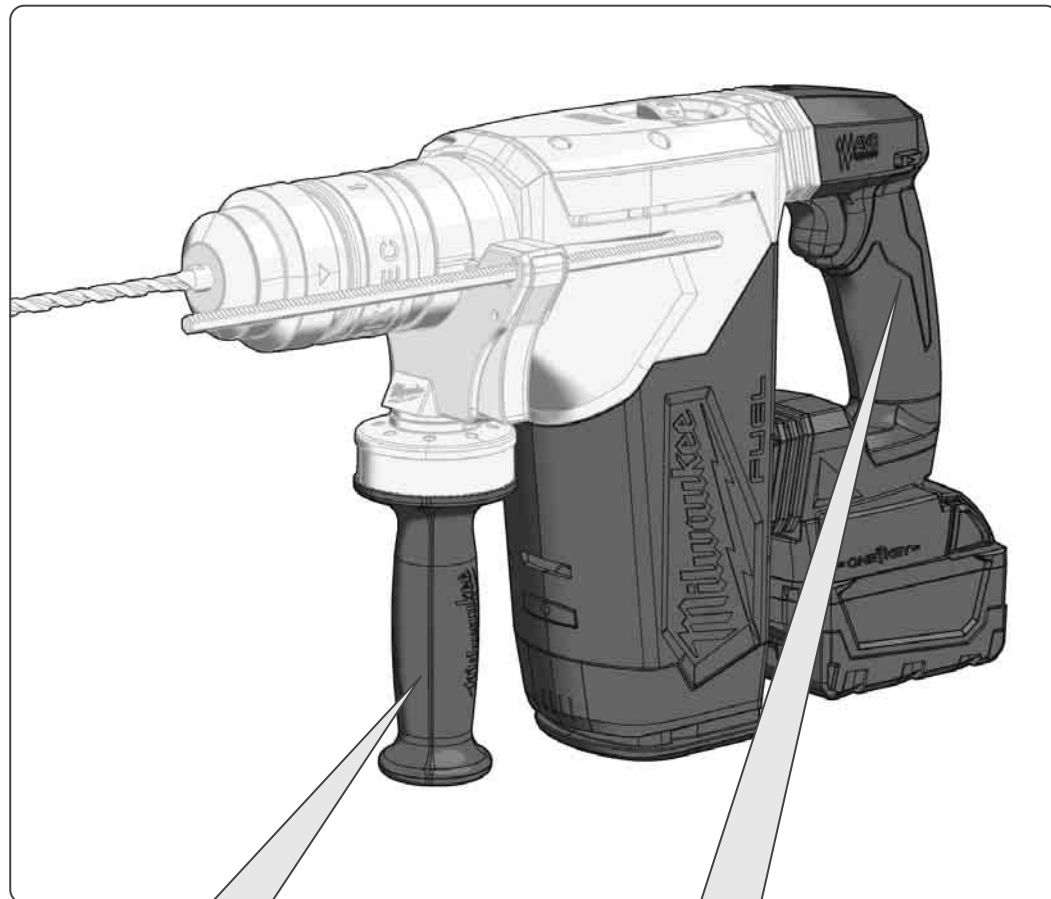
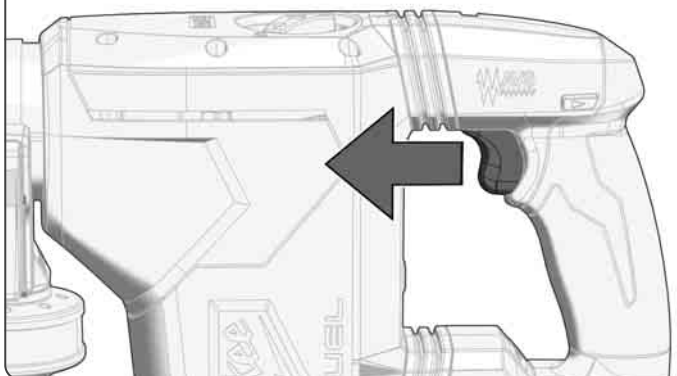




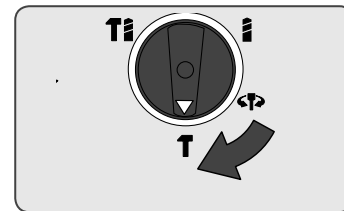
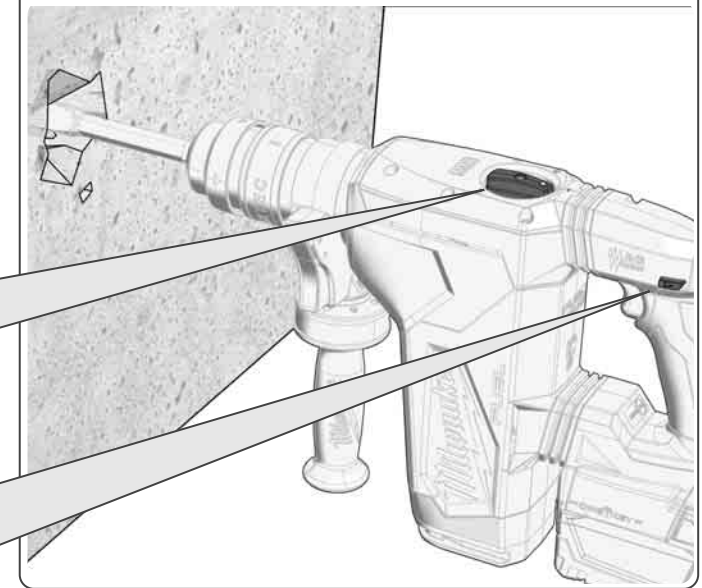
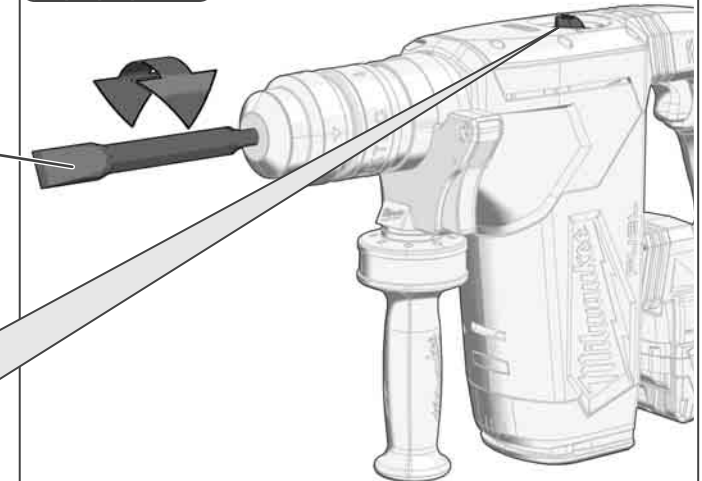
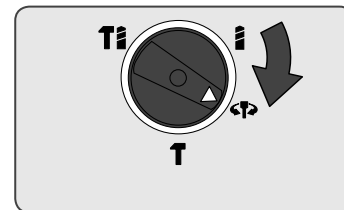
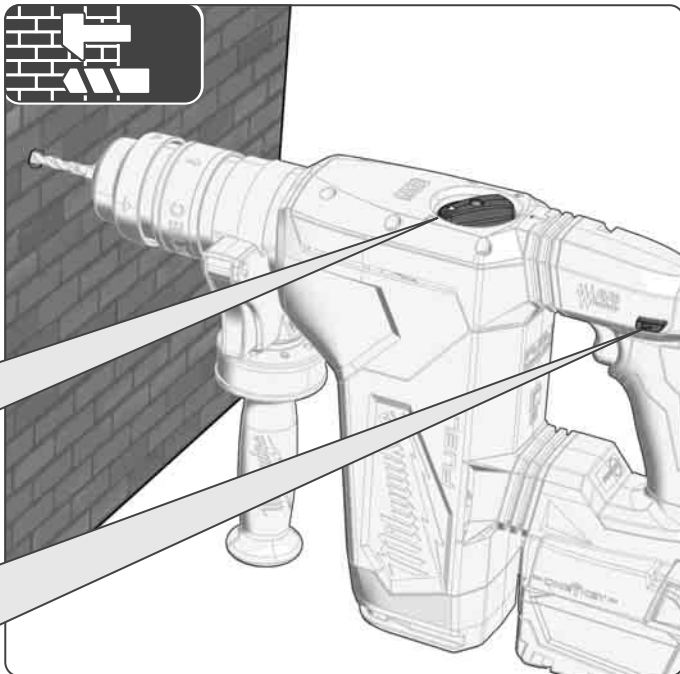
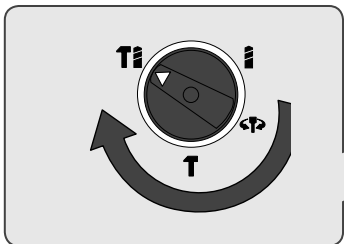
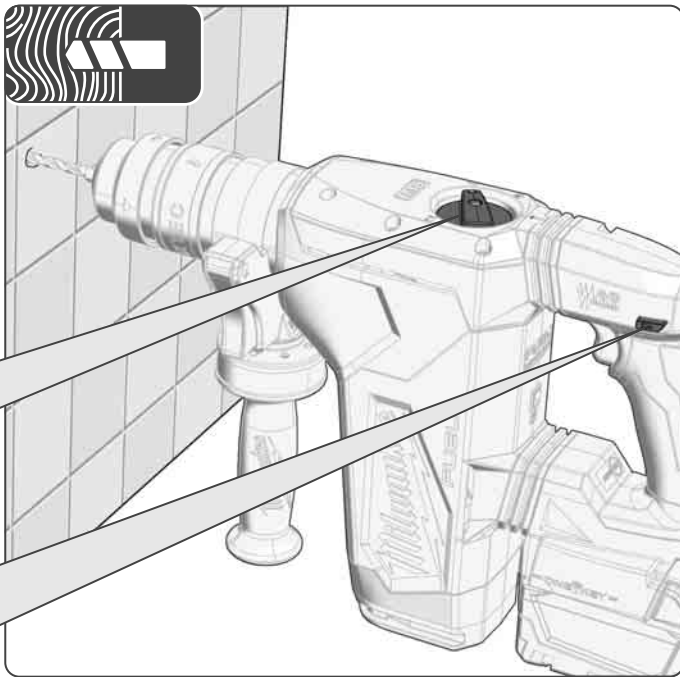
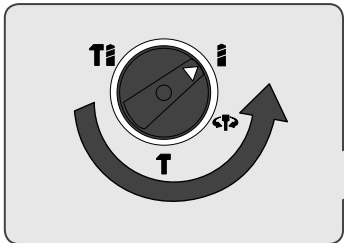
START

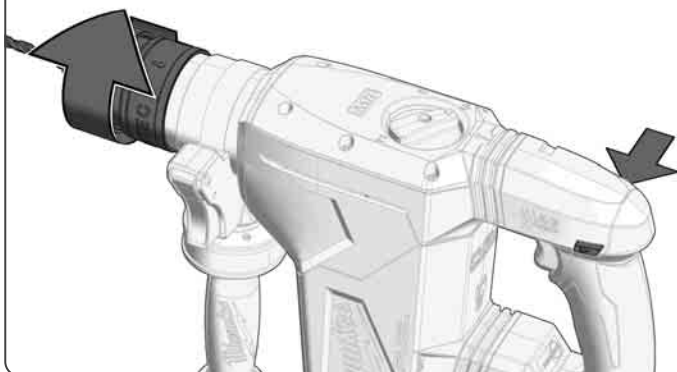


STOP

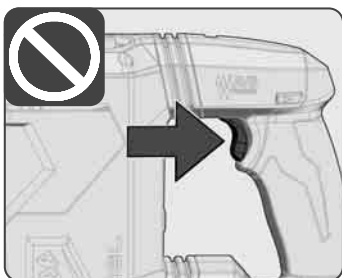
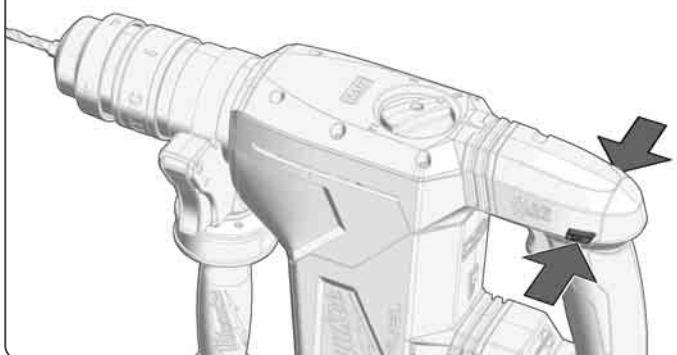


Insulated gripping surface



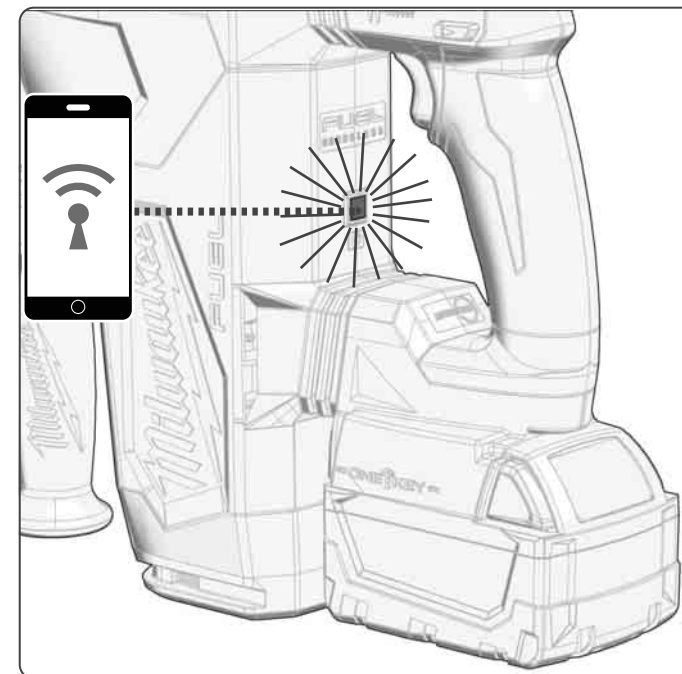


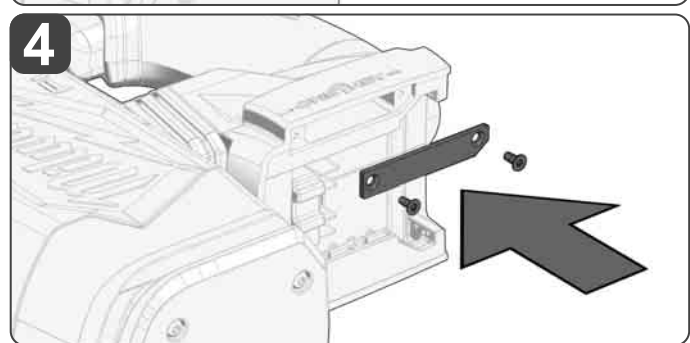
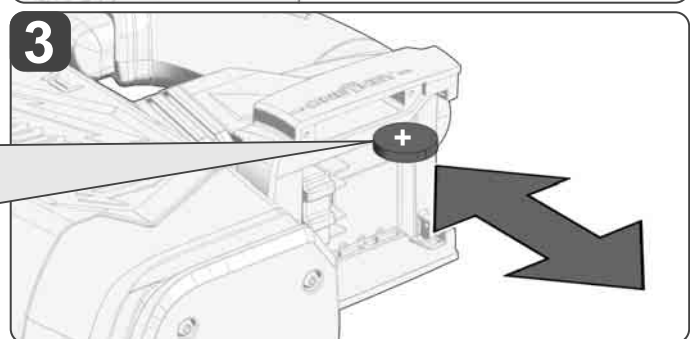
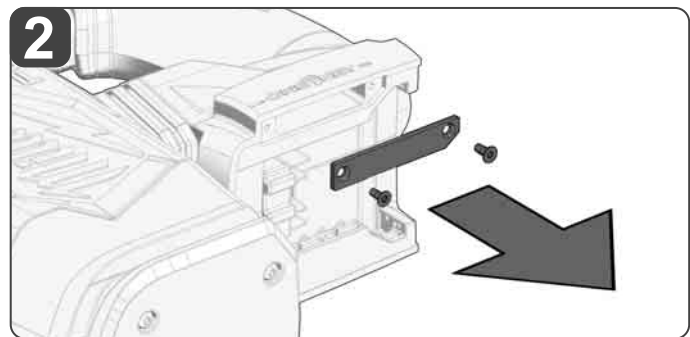
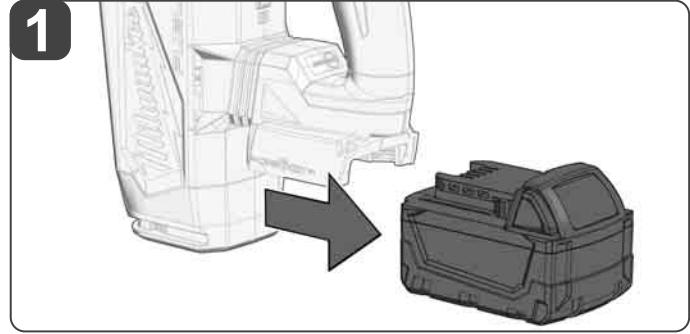
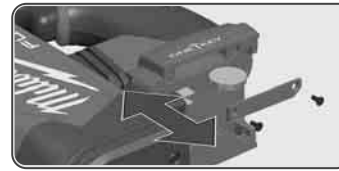
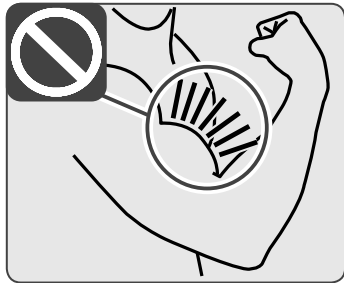
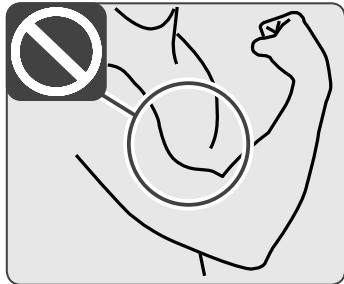
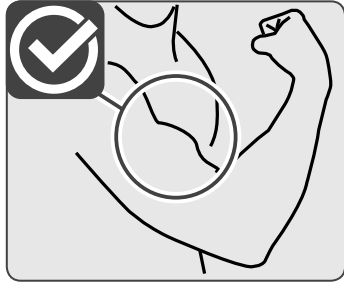
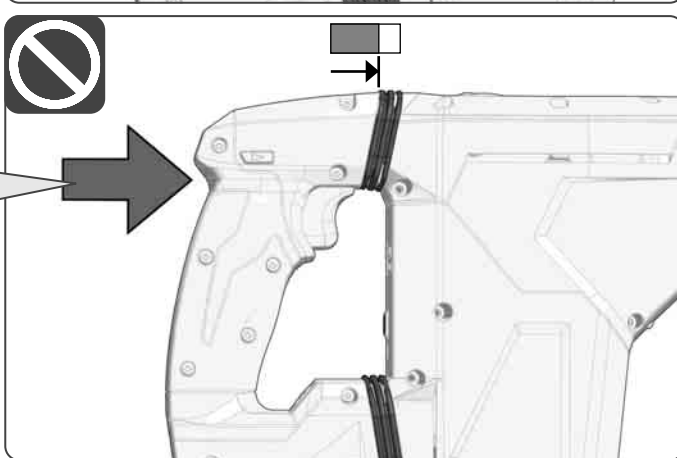
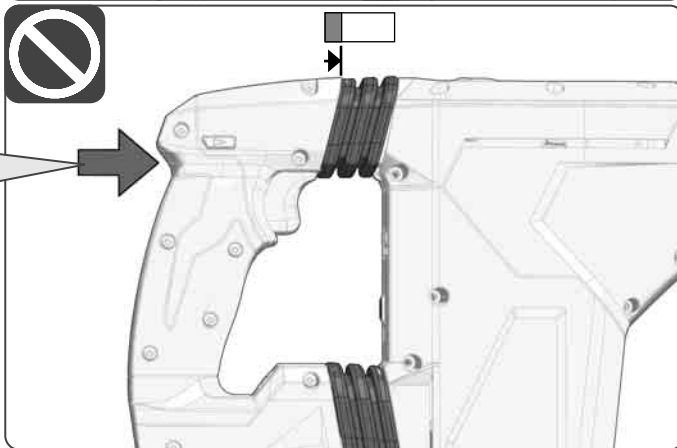
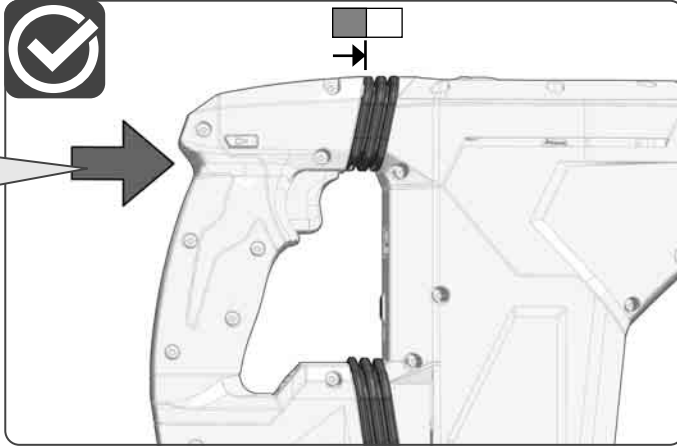
LOCK



Only operate the forward or reverse switch until the machine comes to a complete stop.

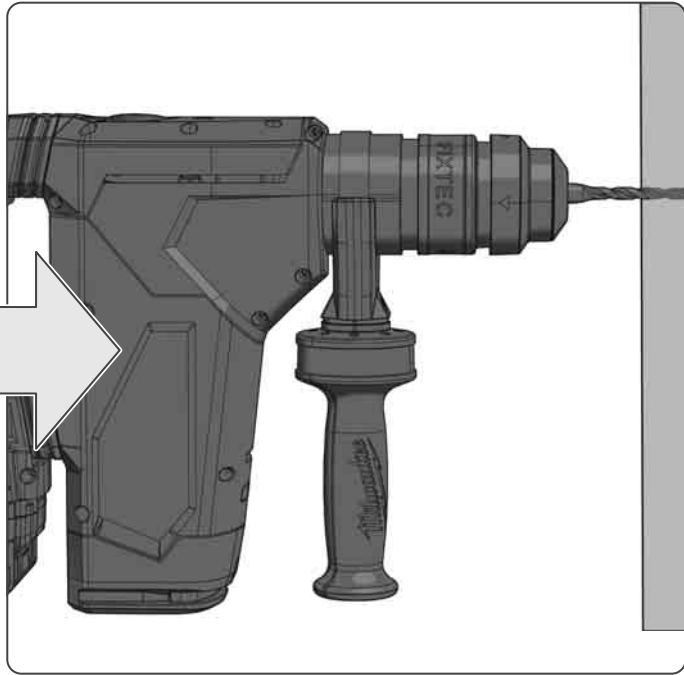
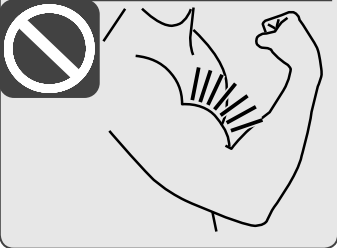
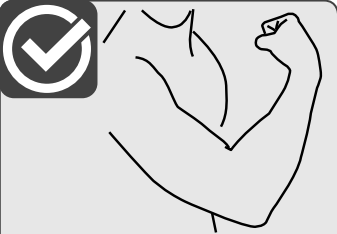
ONE KEY





3V CR2032
Coin Cell

 TIP



TECHNICAL DATA	M18 ONEFHP	M18 ONEFHPX
Type	Cordless Rotary Hammer	Cordless Rotary Hammer
Production code	4779 59 03 XXXXXX MJJJJ	4779 45 03 XXXXXX MJJJJ
Battery voltage	18 V $\overline{-}$	18 V $\overline{-}$
Single impact energy	5,0 J	5,0 J
Frequency band(s) of Bluetooth	2402-2480 MHz	2402-2480 MHz
Radio-frequency power	1,8 dBm	1,8 dBm
Bluetooth version	4.2 BT signal mode	4.2 BT signal mode
No-load speed	0-800 min ⁻¹	0-800 min ⁻¹
Rate of percussion under load	0-4600 min ⁻¹	0-4600 min ⁻¹
Chuck neck diameter	54 mm	54 mm
Drilling capacity in concrete	32 mm	32 mm
Drilling capacity in steel	13 mm	13 mm
Drilling capacity in wood	30 mm	30 mm
Light core cutter in bricks and limestone	75 mm	75 mm
Weight according EPTA-Procedure 01/2014 (2.0 Ah ... 12.0 Ah)	4,2 kg ... 5,2 kg	4,4 kg ... 5,4 kg
Recommended ambient operating temperature	-18...+50 °C	
Recommended battery types	M18B...; M18HB...; M18FB...	
Recommended charger	M12-18...; M1418...; M18...	

Noise Information

Measured values determined according to EN 62841. Typically, the A-weighted noise levels of the tool are:

Sound pressure level / Uncertainty K	98,1 dB(A) / 3 dB(A)	98,1 dB(A) / 3 dB(A)
Sound power level / Uncertainty K	106,1 dB(A) / 3 dB(A)	106,1 dB(A) / 3 dB(A)

Wear ear protectors.

Vibration Information

Total vibration values (vector sum in the three axes) determined according to EN 62841.

Vibration emission value a_h / Uncertainty K

Hammer-drilling in concrete ($a_{h,HD}$)	8,46 m/s ² / 1,5 m/s ²	8,46 m/s ² / 1,5 m/s ²
Chiselling ($a_{h,Chis}$)	7,35 m/s ² / 1,5 m/s ²	7,35 m/s ² / 1,5 m/s ²

WARNING!

The vibration and noise emission level given in this information sheet has been measured in accordance with a standardized test given in EN 62841 and may be used to compare one tool with another. It may be used for a preliminary assessment of exposure.

The declared vibration and noise emission level represents the main applications of the tool. However if the tool is used for different applications, with different accessories or poorly maintained, the vibration and noise emission may differ. This may significantly increase the exposure level over the total working period.

An estimation of the level of exposure to vibration and noise should also take into account the times when the tool is switched off or when it is running but not actually doing the job. This may significantly reduce the exposure level over the total working period.

Identify additional safety measures to protect the operator from the effects of vibration and/or noise such as: maintain the tool and the accessories, keep the hands warm, organization of work patterns.

 **WARNING** Read all safety warnings, instructions, illustrations and specifications provided with this power tool. Failure to follow all instructions listed below may result in electric shock, fire and/or serious injury.

Save all warnings and instructions for future reference.

HAMMER SAFETY WARNINGS

Safety instructions for all operations

Wear ear protectors. Exposure to noise can cause hearing loss.

Use auxiliary handle(s), if supplied with the tool. Loss of control can cause personal injury.

Hold the power tool by insulated gripping surfaces only, when performing an operation where the cutting accessory may contact hidden wiring or its own cord. Cutting accessory contacting a „live“ wire may make exposed metal parts of the power tool „live“ and could give the operator an electric shock.

Safety instructions when using long drill bits with rotary hammer

Always start drilling at low speed and with the bit tip in contact with the workpiece. At higher speeds, the bit is likely to bend if allowed to rotate freely without contacting the workpiece, resulting in the personal injury.

Apply pressure only in direct line with the bit and do not apply excessive pressure. Bits can bend causing breakage or loss of control, resulting in personal injury.

ADDITIONAL SAFETY AND WORKING INSTRUCTIONS

Use personal protective equipment. Always wear eye protection. Protective equipment such as a dust mask, non-skid safety shoes, hard hat or hearing protection used for appropriate conditions will reduce personal injuries.

The dust produced when using this tool may be harmful to health. Do not inhale the dust. Wear a suitable dust protection mask.

Do not machine any materials that present a danger to health (e.g. asbestos).

Switch the device off immediately if the insertion tool stalls! Do not switch the device on again while the insertion tool is stalled, as doing so could trigger a sudden recoil with a high reactive force. Determine why the insertion tool stalled and rectify this, paying heed to the safety instructions.

The possible causes may be:

- it is tilted in the workpiece to be machined
- it has pierced through the material to be machined
- the power tool is overloaded

Do not reach into the machine while it is running.

The insertion tool is sharp-edged and can become hot during use.

WARNING! Danger of cuts and burns
- when handling the insertion tools
- when setting the device down.

Wear protective gloves when handling insertion tools.

Chips and splinters must not be removed while the machine is running.

When working in walls ceiling, or floor, take care to avoid electric cables and gas or waterpipes.

Clamp your workpiece with a clamping device. Unclamped workpieces can cause severe injury and damage.

Remove the battery pack before starting any work on the machine.


Do not dispose of used battery packs in the household refuse or by burning them. Milwaukee Distributors offer to retrieve old batteries to protect our environment.

Do not store the battery pack together with metal objects (short circuit risk).

Use only System M18 chargers for charging System M18 battery packs. Do not use battery packs from other systems.

Never break open battery packs and chargers and store only in dry rooms. Keep dry at all times.

Battery acid may leak from damaged batteries under extreme load or extreme temperatures. In case of contact with battery acid wash it off immediately with soap and water. In case of eye contact rinse thoroughly for at least 10 minutes and immediately seek medical attention.

 **WARNING** This device contains a lithium button/coin cell battery. A new or used battery can cause severe internal burns and lead to death in as little as 2 hours if swallowed or enters the body. Always secure the battery cover. If it does not close securely, stop using the device, remove the batteries, and keep it away from children. If you think batteries may have been swallowed or entered the body, seek immediate medical attention.

Warning! To reduce the risk of fire, personal injury, and product damage due to a short circuit, never immerse your tool, battery pack or charger in fluid or allow a fluid to flow inside them. Corrosive or conductive fluids, such as seawater, certain industrial chemicals, and bleach or bleach containing products, etc., can cause a short circuit.

SPECIFIED CONDITIONS OF USE

The battery rotary pneumatic hammer may be used for hammer drilling and drilling in wood, metal as well as plastic for independent use away from mains supply.

Do not use this product in any other way as stated for normal use.

RESIDUAL RISK

Even when the product is used as prescribed, it is still impossible to completely eliminate certain residual risk factors. The following hazards may arise in use and the operator should pay special attention to avoid the following:

- Injury caused by vibration.
Hold the product by designated handles and restrict working time and exposure.
- Exposure to noise can cause hearing injury.
Wear ear protection and limit exposure.
- Injury due to flying debris
Wear eye protection, heavy long trousers and substantial footwear at all times.
- Inhalation of toxic dusts.

ONE-KEY™

To learn more about the ONE-KEY functionality for this tool, please reference the Quick Start guide included with this product or go to www.milwaukeeetool.com/one-key. To download the ONE-KEY app, visit the App Store or Google Play from your smart device.

Also, when the product experiences ESD, the Bluetooth communication will be disconnected. It needs to be reset manually to recover.

ONE-KEY™ Indicator

Solid Blue Wireless mode is active and ready to be configured via the ONE-KEY™ app.

Blinking Blue Tool is actively communicating with the ONE-KEY™ app.

Blinking Red Tool is in security lockout and can be unlocked by the owner via the ONE-KEY™ app.

NOTES FOR LI-ION BATTERIES

Use of Li-Ion batteries

Battery packs which have not been used for some time should be recharged before use.

Temperatures in excess of 50°C reduce the performance of the battery pack. Avoid extended exposure to heat or sunshine (risk of overheating).

The contacts of chargers and battery packs must be kept clean.

For an optimum life-time, the battery packs have to be fully charged, after used.

To obtain the longest possible battery life remove the battery pack from the charger once it is fully charged.

For battery pack storage longer than 30 days:

Store the battery pack where the temperature is below 27°C and away from moisture

Store the battery packs in a 30% - 50% charged condition
Every six months of storage, charge the pack as normal.

Battery protection for Li-Ion Akkus

In extremely high torque, binding, stalling and short circuit situations that cause high current draw, the tool will vibrate for about 5 seconds, the fuel gauge will flash, and then the tool will turn OFF. To reset, release the trigger.

Under extreme circumstances, the internal temperature of the battery pack could raise too much. If this happens, the fuel gauge will flash until the battery pack cooled down. After the lights go off, the work may continue.

Transport of Lithium Batteries

Lithium-ion batteries are subject to the Dangerous Goods Legislation requirements.

Transportation of those batteries has to be done in accordance with local, national and international provisions and regulations.

- The user can transport the batteries by road without further requirements.
- Commercial transport of Lithium-Ion batteries by third parties is subject to Dangerous Goods regulations. Transport preparation and transport are exclusively to be carried out by appropriately trained persons and the process has to be accompanied by corresponding experts.

When transporting batteries:

- Ensure that battery contact terminals are protected and insulated to prevent short circuit.
- Ensure that battery pack is secured against movement within packaging.
- Do not transport batteries that are cracked or leak.

Check with forwarding company for further advice

WORKING INSTRUCTIONS

Do not force too much when drilling or hammering. Let the rotary hammer do the work for you.

AUTOSTOP

AUTOSTOP The AUTOSTOP™ kickback feature senses a bind of the drill. The control lamp flashes and the electronic switch off the rotary hammer. To switch on, release the trigger and press it again.

WORK WHEN IT'S COLD

If the tool is stored for a long period of time or at cold temperatures, the lubrication may become stiff and the tool may not working initially or the working may be weak. If this happens:

1. Insert a bit or chisel into the tool.
2. Run the tool against a scrap piece of concrete.
3. Pull and release the trigger every few seconds.

After 15 seconds to 2 minutes, the tool will start hammering normally. The colder the tool is, the longer it will take to warm up.

CLEANING

The ventilation slots of the machine must be kept clear at all times.








MAINTENANCE










Important note! If the carbon brushes are worn, in addition to exchanging the brushes the tool should be sent to after-sales service. This will ensure long service life and top performance.

Use only Milwaukee accessories and Milwaukee spare parts. Should components need to be replaced which have not been described, please contact one of our Milwaukee service agents (see our list of guarantee/service addresses).

If needed, an exploded view of the tool can be ordered. Please state the machine type printed as well as the six-digit No. on the label and order the drawing at your local service agents or directly at: Techtronic Industries GmbH, Max-Eyth-Straße 10, 71364 Winnenden, Germany.

SYMBOLS

	Please read the instructions carefully before starting the machine.
	CAUTION! WARNING! DANGER!
	Remove the battery pack before starting any work on the machine.
	Do not swallow the coin cell battery!
	Always wear goggles when using the machine.
	Wear ear protectors!
	Wear a suitable dust protection mask.

	Wear gloves!
	The anti-vibration system reduces machine vibrations on the handle.
	Accessory - Not included in standard equipment, available as an accessory.
	Do not dispose of waste batteries, waste electrical and electronic equipment as unsorted municipal waste. Waste batteries and waste electrical and electronic equipment must be collected separately. Waste batteries, waste accumulators and light sources have to be removed from equipment. Check with your local authority or retailer for recycling advice and collection point. According to local regulations retailers may have an obligation to take back waste batteries and Waste electrical and electronic equipment free of charge. Your contribution to re-use and recycling of waste batteries and waste electrical and electronic equipment helps to reduce the demand of raw materials. Waste batteries, in particular containing lithium and waste Electrical and electronic equipment contain valuable, recyclable materials, which can adversely impact the environment and the human health, if not disposed of in an environmentally compatible manner. Delete personal data from waste equipment, if any.
n_0	No-load speed
V	Voltage
	Direct Current
	European Conformity Mark
	British Conformity Mark
	Ukraine Conformity Mark
	EurAsian Conformity Mark

EC DECLARATION OF CONFORMITY

We declare as the manufacturer under our sole responsibility that the product described under "Technical Data" fulfills all the relevant regulations and directives listed below and that the following harmonized standards have been used.

2011/65/EU (RoHS)
2014/53/EU
2006/42/EC
EN 62841-1:2015+A11:2022
EN 62841-2-6:2020+A11:2020
EN IEC 55014-1:2021
EN IEC 55014-2:2021
EN 301 489-1 V2.2.3
EN 301 489-17 V3.2.4
EN 300 328 V2.2.2
EN 62479:2010
EN IEC 63000:2018

Winnenden, 2022-12-15


Martin Landherr
Managing Director



Authorized to compile the technical file

Techtronic Industries GmbH
Max-Eyth-Straße 10
71364 Winnenden
Germany

GB-DECLARATION OF CONFORMITY

We declare as the manufacturer under our sole responsibility that the product described under "Technical Data" fulfills all the listed below relevant regulations and that the following designated standards have been used.

S.I. 2008/1597 (as amended)
S.I. 2017/1206 (as amended)
S.I. 2012/3032 (as amended)
EN 62841-1:2015+A11:2022
EN 62841-2-6:2020+A11:2020
EN IEC 55014-1:2021
EN IEC 55014-2:2021
EN 301 489-1 V2.2.3
EN 301 489-17 V3.2.4
EN 300 328 V2.2.2
EN 62479:2010
EN IEC 63000:2018

Winnenden, 2022-12-15


Martin Landherr
Managing Director

Authorized to compile the technical file:

Techtronic Industries (UK) Ltd
Parkway
Marlow SL7 1YL
UK

Techtronic Industries GmbH
Max-Eyth-Straße 10
71364 Winnenden
Germany

Copyright 2025
Techtronic Industries GmbH
Max-Eyth-Str. 10
71364 Winnenden
Germany
+49 (0) 7195-12-0
www.milwaukeeetool.eu

Techtronic Industries (UK) Ltd
Parkway
Marlow, SL7 1YL
UK

(04.25)

4100 4705 70